

- NOTES:
1. MATERIAL:
 - 1-1 HOUSING: HIGH TEMPERATURE THERMO PLASTIC UL94V-0 RATED, COLOR SEE SEE P/N
 - 1-2 CONTACT: COPPER ALLOY.
 - 1-3 SOLDER TAB & LATCH: COPPER ALLOY
 2. CONTACT FINISH:
 - 2-1 GOLD PLATING ON CONTACT AREA, SEE P/N
 - 2-2 GOLD FLASH ON SOLDERING AREA
 - 2-3 ALL OVER 40µ" MIN. NICKEL UNDER PLATED
 - 2-4 SOLDER TAB & LATCH: LEAD FREE
 3. GENERAL TOLERANCE: ±0.3
 4. PACKING: SEE P/N
 5. PART NUMBER:

PART NUMBER: CPF-12409D1X-XX

Packing S=Tray C=Top&Reel
 PRODUCT HEIGHT
 52= 3.2 MM HEIGHT
 56= 3.6 MM HEIGHT
 92= 9.2 MM HEIGHT

P/N	STAND-OFF (mm)				
	H	A	B	C	D
CPF-12409D1X-52	5.2	2.74	0.1	3.30	0.85
CPF-12409D1X-56	5.6	3.14	0.5	3.70	1.40
CPF-12409D1X-92	9.2	6.74	0.3	7.30	0.93

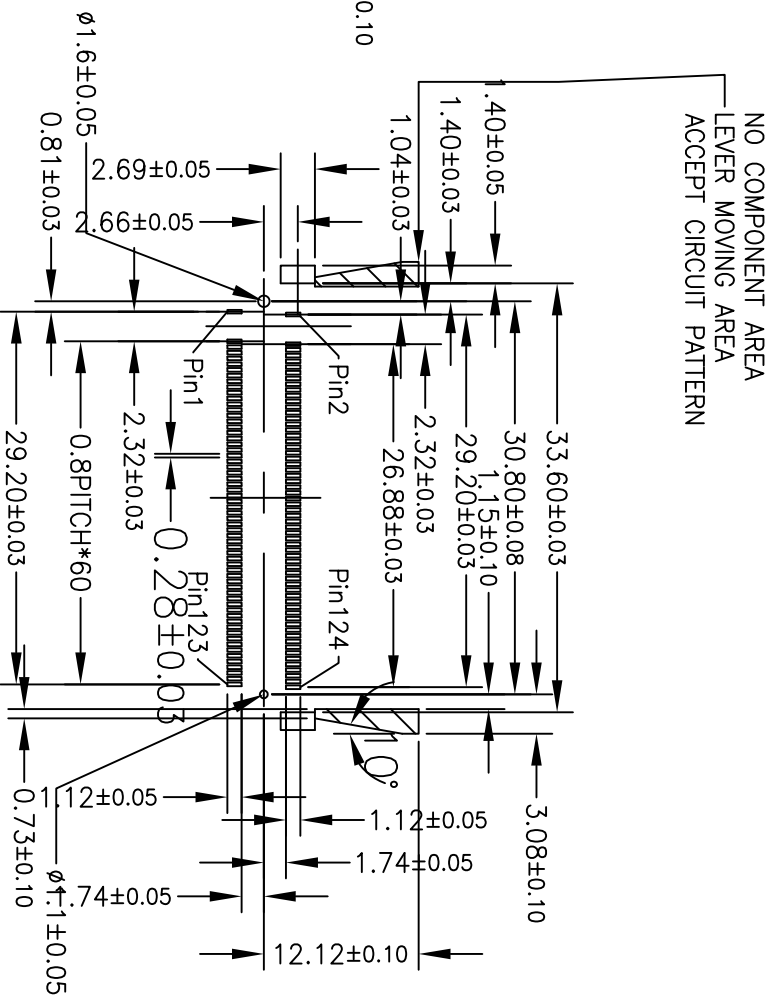
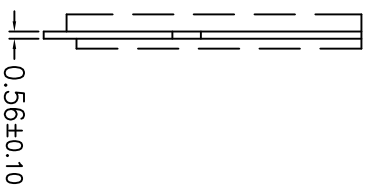
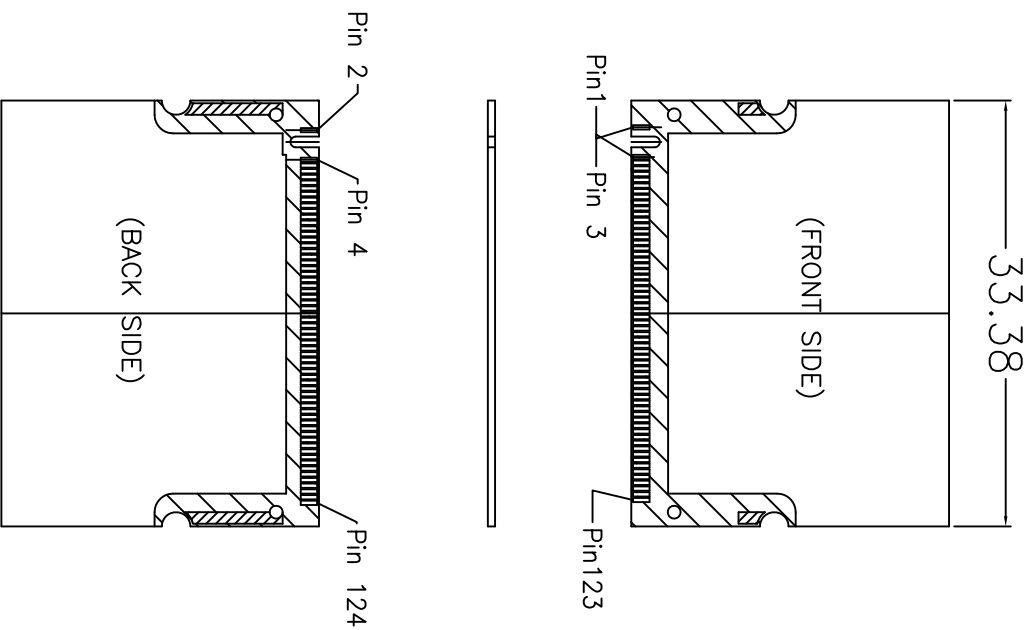
TOLERANCES	
X.X ±0.3	
X.XX ±0.2	
X.XXX ±0.1	
Angle ±5°	

Cosmism Electronics Corp.

Mini PCI Connector, 0.8mm Pitch
124 Pin 5.2/5.6/9.2mm Height

TITLE	Mini PCI Connector, 0.8mm Pitch 124 Pin 5.2/5.6/9.2mm Height	
DRAWN BY	CHECKED BY	APPROVED BY
<i>Singala</i>	<i>Prave</i>	<i>Benson</i>
UNIT	SCALE	SIZE
MM	NONE	A4
13001		
DRAW NO.	REV.	SHEET
P-004	A	1/2

RELEASE	2009.4.12
DESCRIPTION	



NO COMPONENT AREA
LEVER MOVING AREA
ACCEPT CIRCUIT PATTERN

Recommended P.C.Board Layout.

Recommended Module Configuration.
(FOR Mini PCI H: 5.2/5.6/9.2mm)

A	RELEASE	2009.4.12
REV.	DESCRIPTION	

Cosmism Electronics Corp.

TITILE Mini PCI Connector, 0.8mm Pitch
124 Pin 5.2/5.6/9.2mm Height

TOLERANCES

X.X	±0.3
X.XX	±0.2
X.XXX	±0.1
Angle	±5°

UNIT	SCALE	SIZE	DRAW NO.	REV.	APPROVED BY
MM	NONE	A4	P-004	A	Benson
DRAWN BY		CHECKED BY		APPROVED BY	
Sngata		Paise		Benson	
13001					